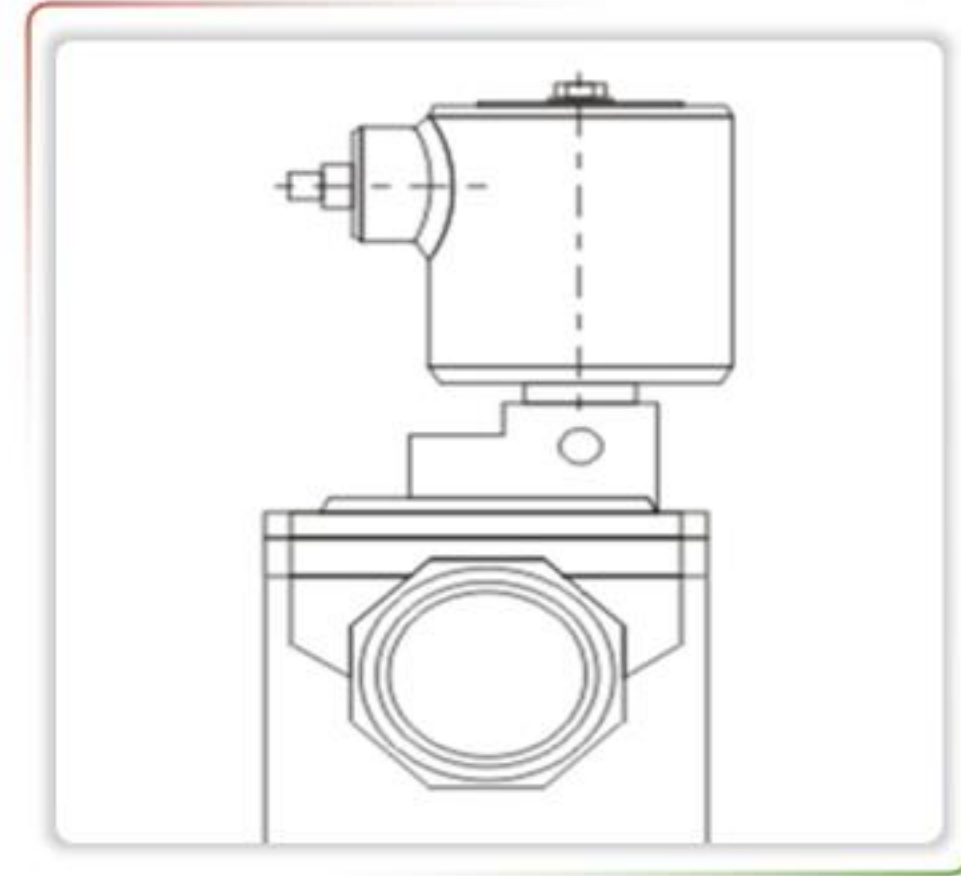
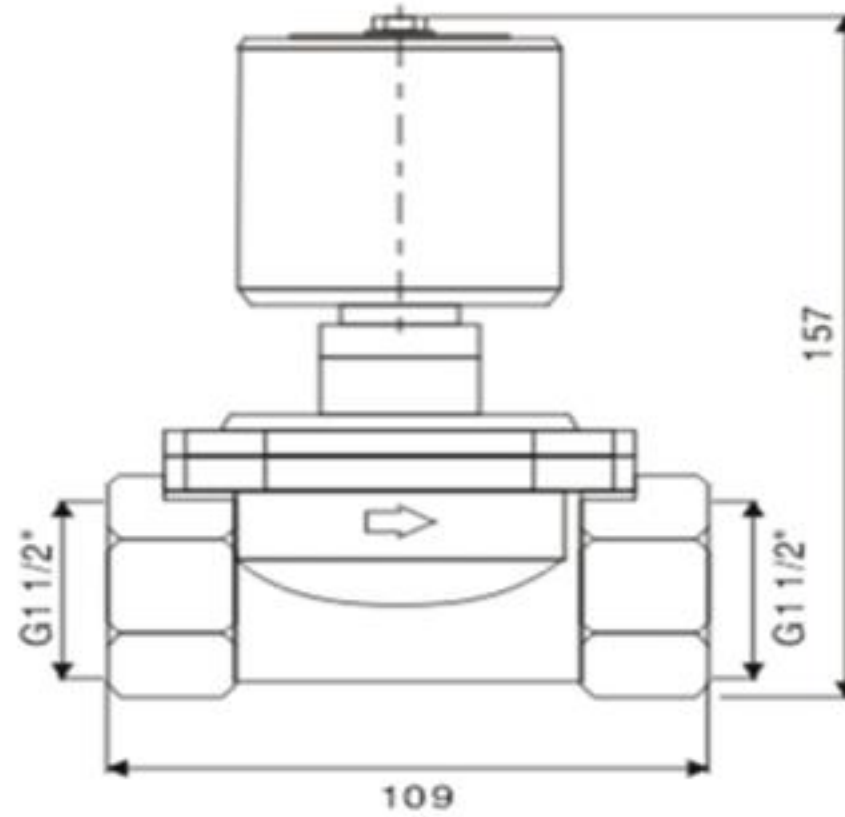




SOLENOID VALVE

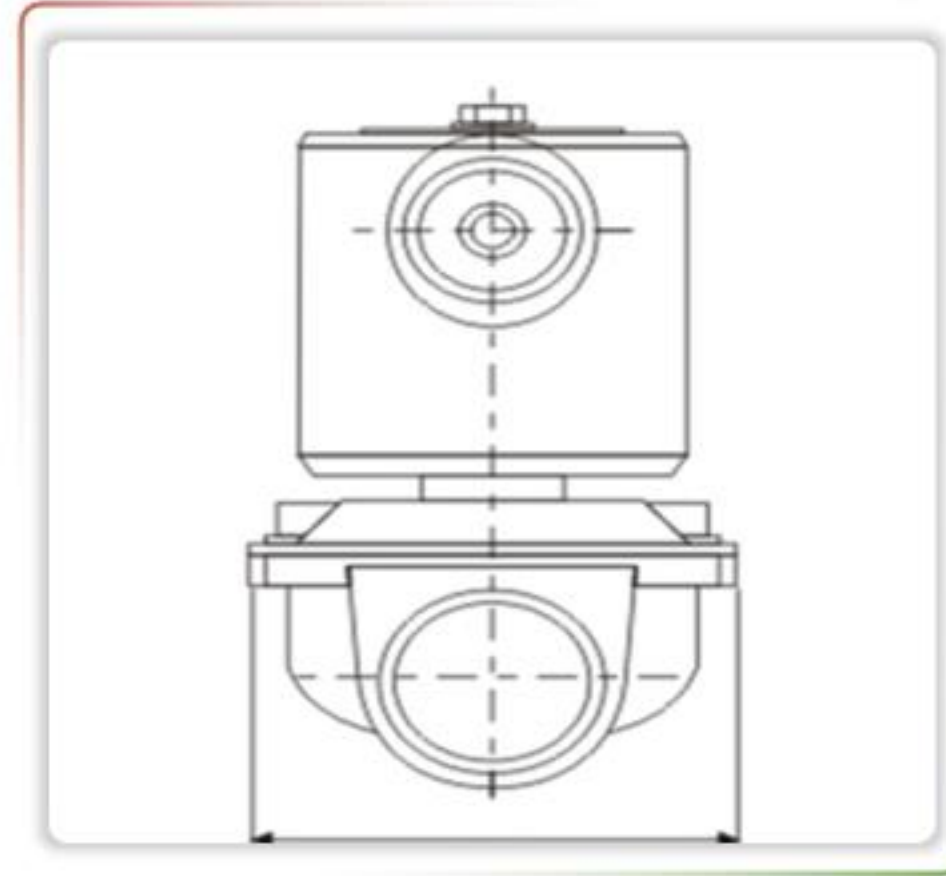
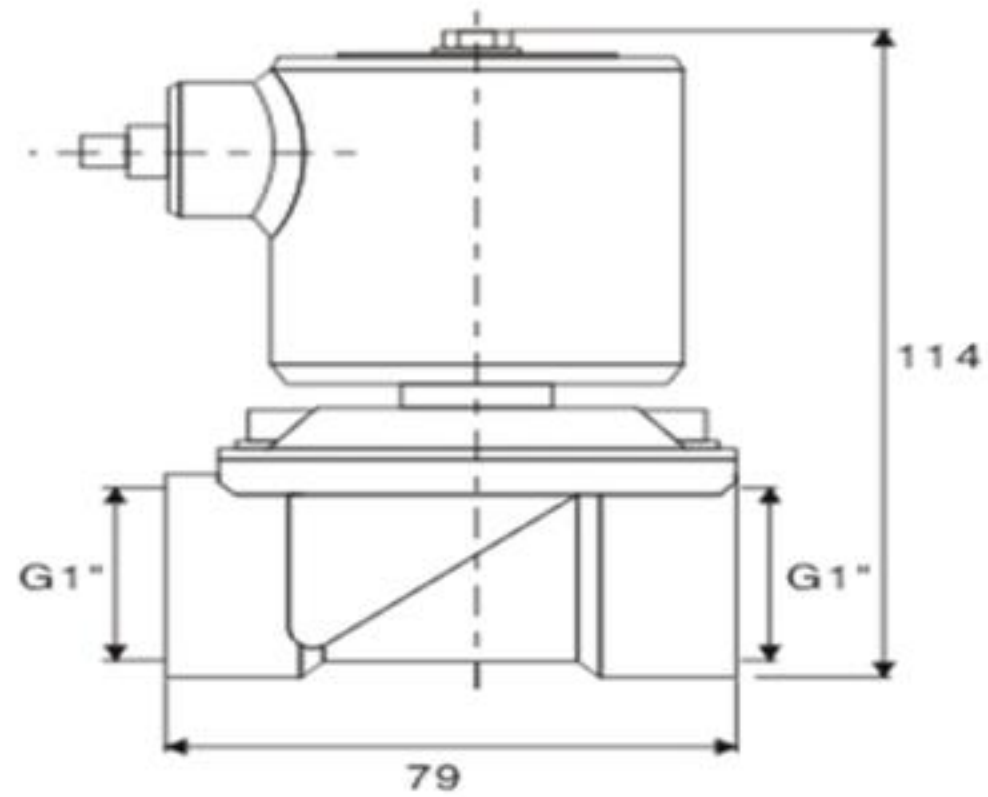


MODEL	DN(mm)	CONNECTOR SIZE(mm)			WEIGHT(kg)	CONNECTION
		L	S	H		
ZCST-32	32	109	86	153	1.925	G1 1/4"(internal thread)
ZCST-40	40	109	87	157	1.935	G1 1/2"(internal thread)
ZCST-50	50	142	109	187	3.38	G2"(internal thread)

ZCST series products have the function of releasing automatically water and filtering(make sure normal operation in the frozen impurity). Fullenclosed waterproof coil and special wire make installation more convenient and safer.



SOLENOID VALVE

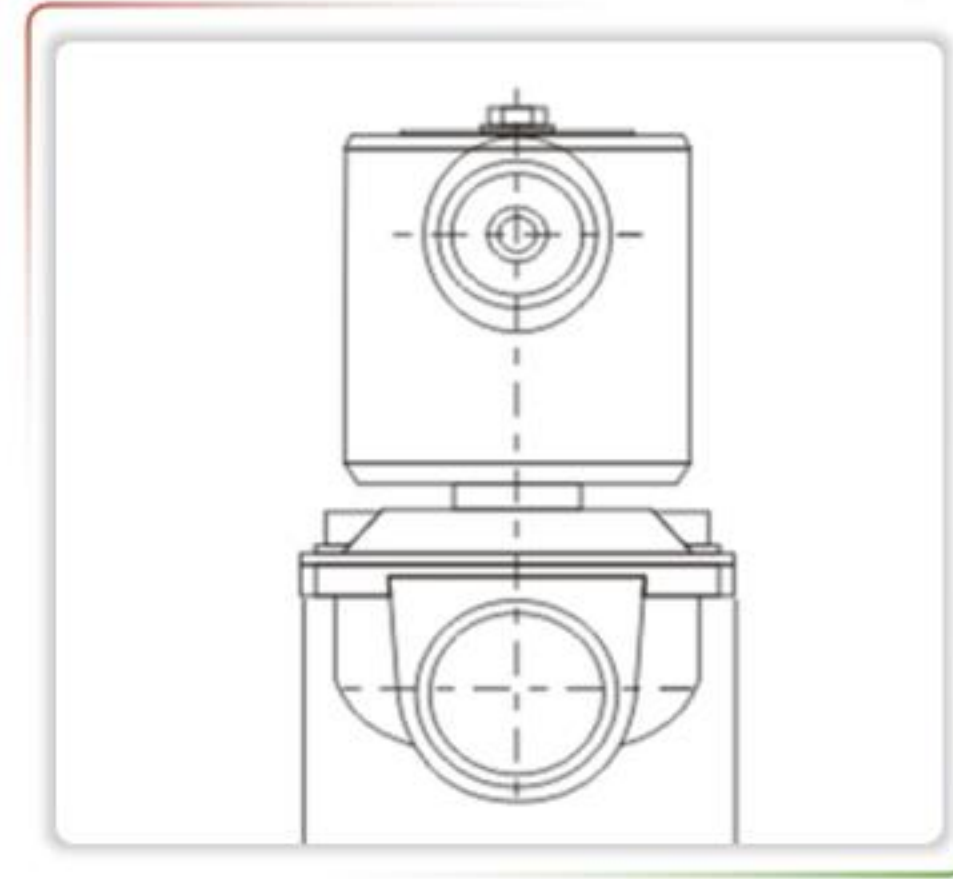
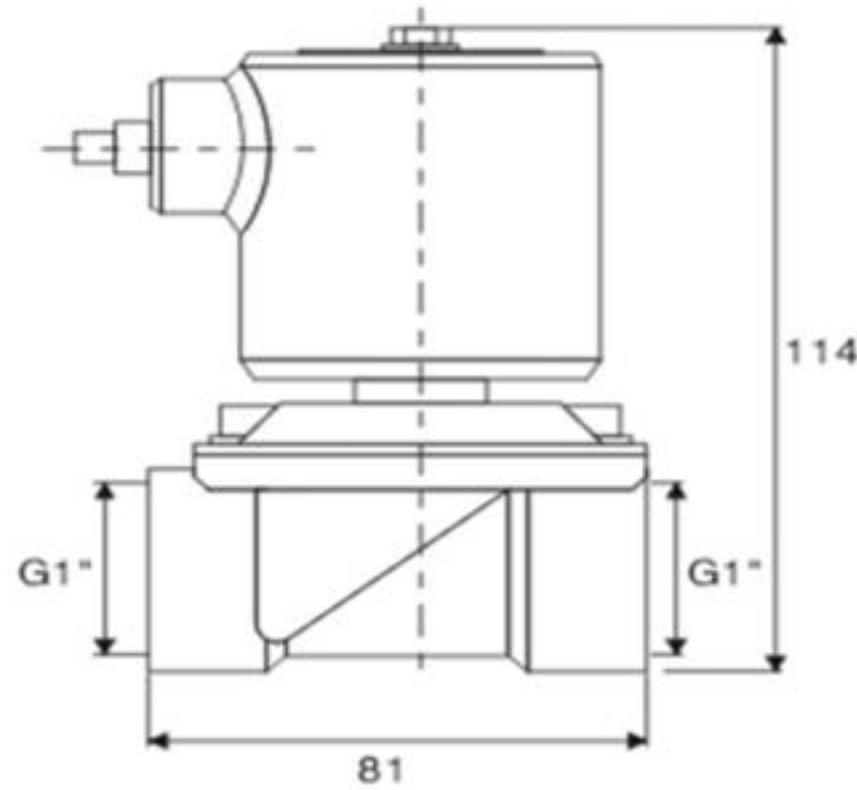


MODEL	DN(mm)	CONNECTOR SIZE(mm)			WEIGHT(kg)	CONNECTION
		L	S	H		
ZCSTZ-15	15	69.3	79	97	0.87	G1/2"(internal thread)
ZCSTZ-20	20	75	79	105	1.2	G3/4"(internal thread)
ZCSTZ-25	25	79	79	114	1.3	G1"(internal thread)
ZCSTZ-32	32	118	87.5	138	2.1	G1 1/4"(internal thread)
ZCSTZ-40	40	122	95.5	154	2.45	G1 1/2"(internal thread)
ZCSTZ-50	50	155	122	174	3.5	G2"(internal thread)

ZCSTZ series products are newly developed solenoid valve for musical fountain on the basis of original ZCST series. Height of water shape is the same, especially suitable for the stage, square fountain.



SOLENOID VALVE



MODEL	DN(mm)	CONNECTOR SIZE(mm)			WEIGHT(kg)	CONNECTION
		L	S	H		
ZCSTZ-15B	15	70	79	97	0.87	G1/2"(internal thread)
ZCSTZ-20B	20	72	79	106	1.0	G3/4"(internal thread)
ZCSTZ-25B	25	81	79	114	1.16	G1"(internal thread)

ZCSTZ series products are newly developed solenoid valve for musical fountain on the basis of original ZCST series. Height of water shape is the same, especially suitable for the stage, square fountain.